

OFFICINE MECCANICHE
SAMEC

via IV Novembre, 1
CASTELVERDE (Cremona)
TEL 0372-427122 FAX 0372-428134
www.samecspa.com

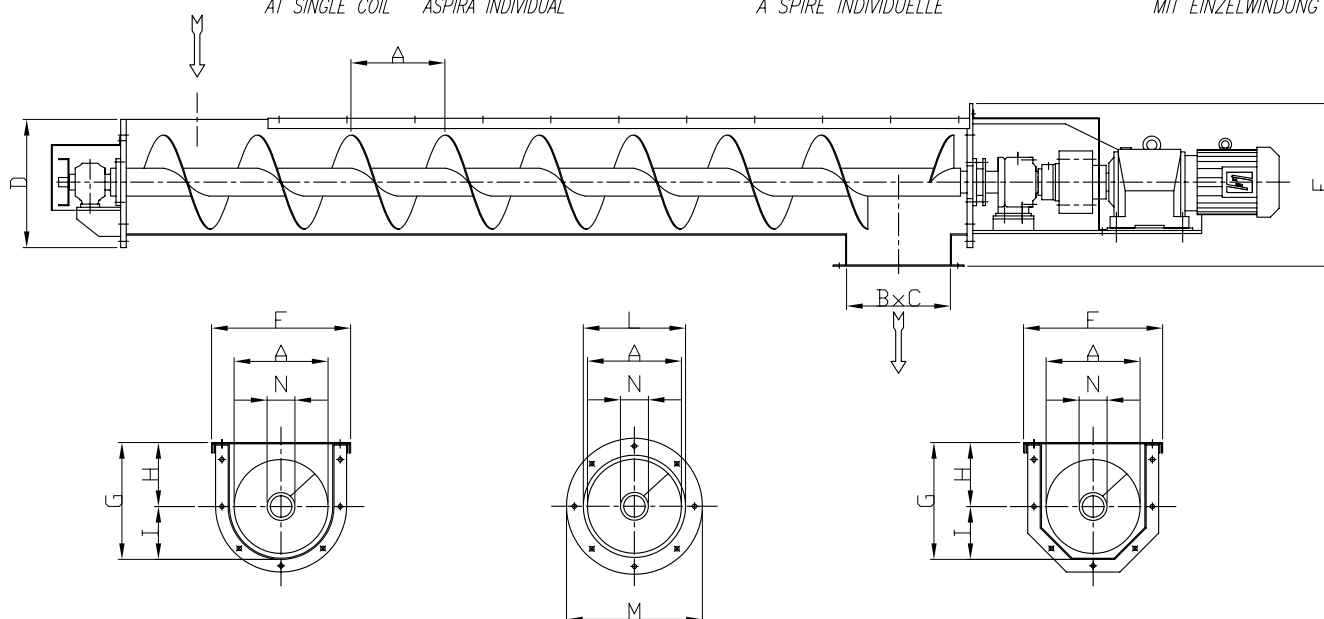
TRASPORTATORE A COCLEA *A SPIRA SINGOLA*

SCREW CONVEYOR - COCLEA - VIS TRANSPORTEUSE - FOERDERSHNECKE

AT SINGLE COIL ASPIRA INDIVIDUAL

A SPIRE INDIVIDUELLE

MIT EINZELWINDUNG



A	B	C	D	E	F	G	H	I	L	M	N
150	230	290	330	330	300	270	160	110	219	320	48.3
200	300	340	380	380	350	320	185	135	267	370	48.3
250	380	390	430	430	400	370	210	160	298.5	400	60.3
300	450	450	490	490	460	420	235	185	355.6	460	70
350	530	500	540	540	510	470	260	210	406.4	510	88.9
400	600	560	600	600	560	520	285	235	457.2	560	101.6
450	680	610	650	650	620	570	310	260	508	610	139.7
500	750	660	700	700	670	620	335	285	558.8	660	139.7
550	800	710	750	750	720	670	360	310	609.6	710	139.7
600	900	760	800	800	790	720	385	335	660.4	770	177.8
700	900	860	900	900	890	820	435	385	762	870	193.7
800	1000	960	1000	1000	990	920	485	435	863.6	970	193.7



SISTEMA QUALIFICATO
CERTIFICATO D'APPROVAZIONE
N° 160280



OFFICINE MECCANICHE
SAMEC

via IV Novembre, 1
CASTELVERDE (Cremona)
TEL 0372-427122 FAX 0372-428134
www.samecspa.com

TRASPORTATORE A COCLEA A SPIRA SINGOLA

SCREW CONVEYOR - COCLEA - VIS TRANSPORTEUSE - FOERDERSHNECKE

AT SINGLE COIL ASPIRA INDIVIDUAL

A SPIRE INDIVIDUELLE

MIT EINZELWINDUNG

ORIZZONTALE

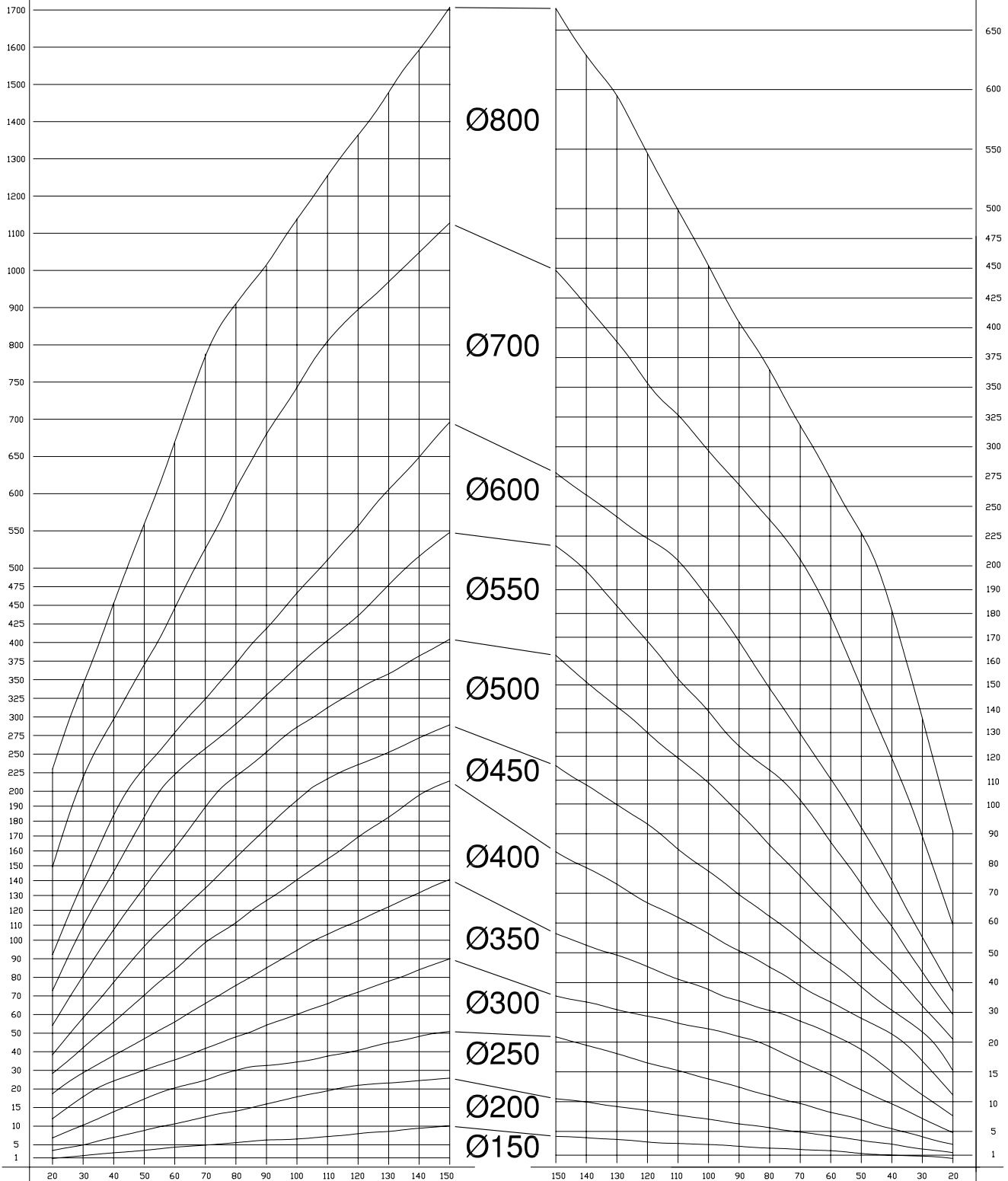
HORIZONTAL HORIZONTAL
HORIZONTAL WAAGERECHT

VERTICALE

VERTICAL VERTICAL
VERTICALE SENKRECHT

Portata MC/H
Flow rate MC/H
Capacitat MC/H
Debit MC/H
Durchfluss MC/H

Portata MC/H
Flow rate MC/H
Capacitat MC/H
Debit MC/H
Durchfluss MC/H



- Giri al minuto - Rev. per minute - Rev. por minutos - Tours/minute - Umdrehungen/minute -

- Giri al minuto - Rev. per minute - Rev. por minutos - Tours/minute - Umdrehungen/minute -